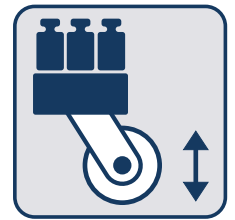


Levelling caster system Synchro-LIFT

Type Caster



Article number: 2008-0302

With the levelling caster system Synchro-LIFT, heavy loads can be lifted, moved and safely set down again quickly and easily. A special feature of the type caster is that furniture and apparatus under which the levelling caster system is installed are placed on their own pedestals or feet. The system has a load capacity of up to 500 kg. The Synchro-LIFT levelling caster system is characterised by its durability and freedom from maintenance.

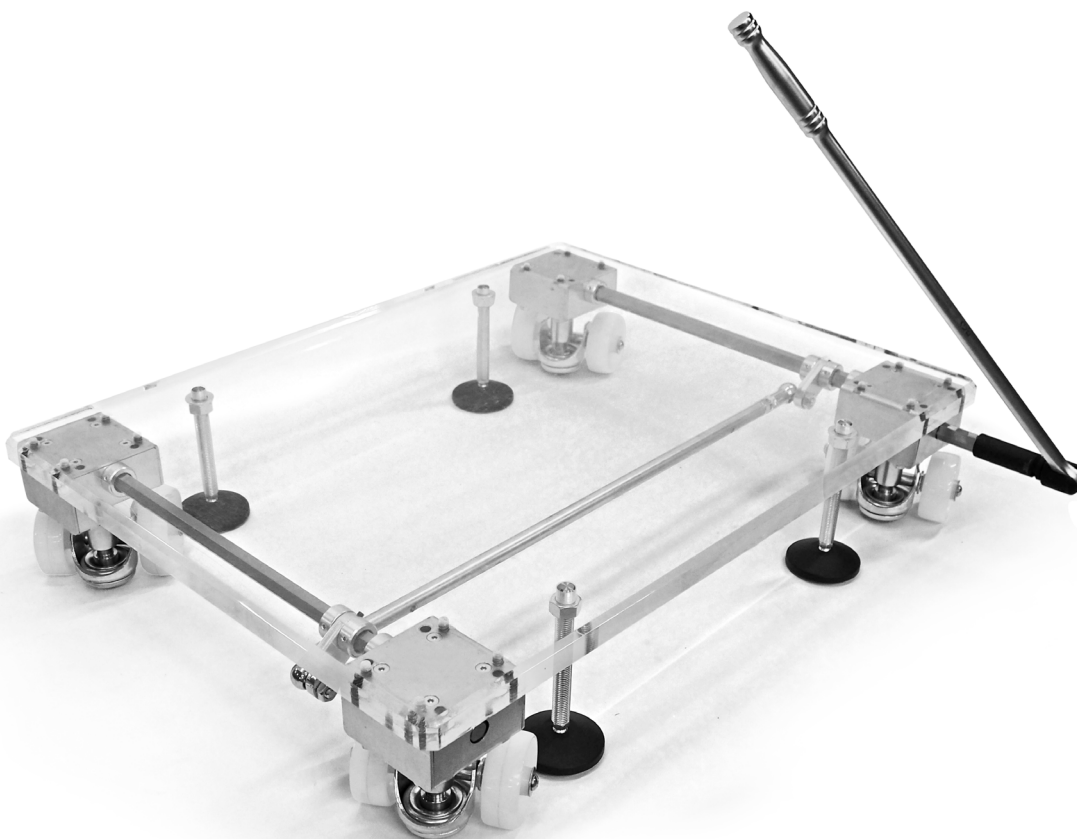
Load capacity per system	approx. 500 kg
Ground clearance	max. 10 mm
External dimensions min.	550 x 550 mm
Overall height (parked on feet/base)	140 mm
Overall height (moving, lifted on casters)	150 mm

Your advantages

- One product, two functions: Moving and standing
- Central operation
- Mounting plate according to European standard
- Place on the feet of the furniture or the appliance
- High load capacity
- Purely mechanical system
- Made to measure
- Maintenance-free


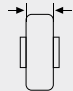
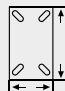
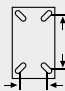
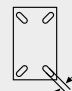
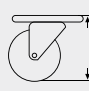

Areas of application

Machines and apparatus, work stairs, work tables, mobile office furnishings, mobile partition walls, mobile benches, lecterns, show-cases, advertising media such as digital customer stoppers, mobile kitchen islands and much more.



Technical data

Corner element Synchro-LIFT

Type							Turning Radius r	Axis Length	
	mm	mm	mm	mm	mm	mm	mm	mm	kg
Corner element Synchro-LIFT with polyurethane wheel orange-brown (standard)	80	2 x 30	100 x 100	80 x 60	M8	150 moving	95	148	125
Corner element Synchro-LIFT with polyamide wheel white	80	2 x 30	100 x 100	80 x 60	M8	150 moving	95	148	125

Hand lever

Description	Length	Connection
	mm	
Hand lever (standard)	600	hexagonal shaft (17 mm)

Impressions

